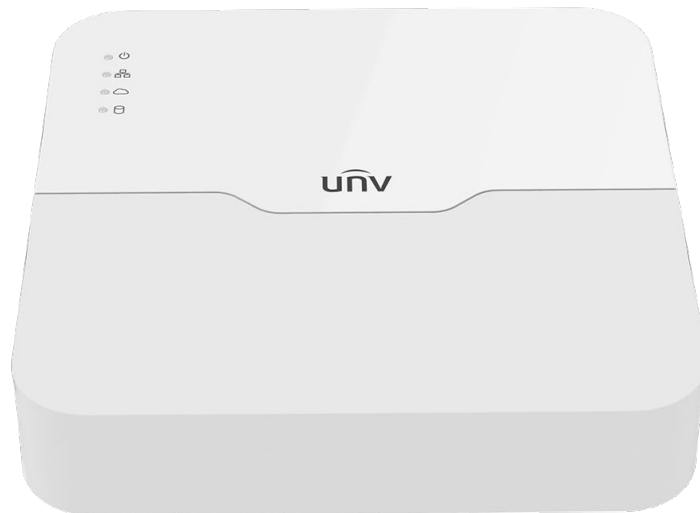


# Network Video Recorder

## NVR501-B-LP Series



## Features

- Support Ultra265/H.265/H.264 video formats
- 4/8-channel input
- Plug & Play with 4/8 independent PoE network interfaces
- Support mainstream cameras of ONVIF conformance(Profile S, Profile G, Profile T ) and RTSP protocols
- Support HDMI and VGA simultaneous output
- Up to 16 Megapixels resolution recording
- ANR technology to enhance the storage reliability when the network is disconnected
- Support cloud upgrade

## Specifications

Decoding	Description
----------	-------------

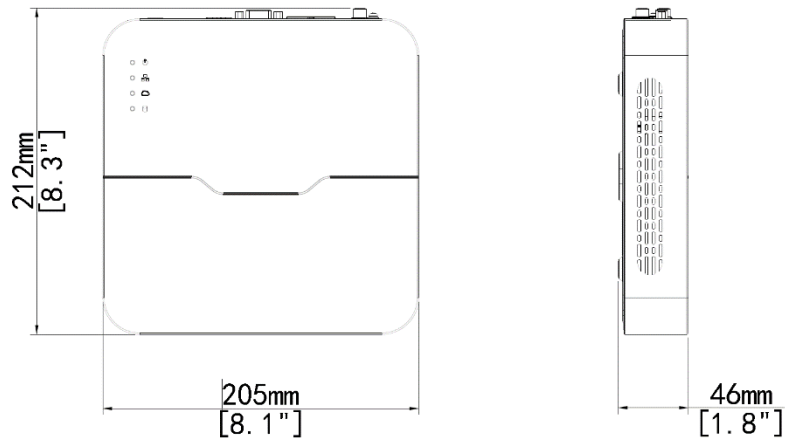
Decoding Format	Ultra 265, H.265, H.264
Decoding Capability	NVR501-04B-LP4:Ultra 265/H.265: 2 x 16MP@30, 2 x 12MP@30, 4 x 4K@30 H.264: 2 x 16MP(4800*2688)@30, 2 x 12MP@30, 2 x 4K@30, 4 x 5MP@30 NVR501-08B-LP8:Ultra 265/H.265: 2 x 16MP@30, 2 x 12MP@30, 4 x 4K@30, 6 x 5MP@30, 8 x 4MP@30 H.264: 2 x 16MP(4800*2688)@30, 2 x 12MP@30, 2 x 4K@30, 4 x 5MP@30, 6 x 4MP@30, 8 x 3MP@30
Audio Compression	G.711A, G.711U
<b>Network</b>	<b>Description</b>
Incoming Bandwidth	80Mbps
Outgoing Bandwidth	64Mbps
Remote Users	128
Protocols	TCP/IP;P2P;UPnP;NTP;DHCP;PPPoE;HTTP;HTTPS;DNS;DDNS;SNMP;SMTP;RTSP;IP v6
Browser(Plugin)	Windows:IE(IE10/11), Firefox (version 52.0 and above), Chrome(version 45 and above), Edge(version 79 and above)
<b>Video/Audio Input</b>	<b>Description</b>
IP Video Input	NVR501-04B-LP4:4-ch NVR501-08B-LP8:8-ch
RCA Audio Input	1-ch
<b>Video/Audio Output</b>	<b>Description</b>
HDMI Output	HDMI:4K(3840x2160)/30Hz, 1920x1080/60Hz, 1920x1080/50Hz, 1600x1200/60Hz, 1280x1024/60Hz, 1280x720/60Hz, 1024x768/60Hz
VGA Output	VGA:1920x1080/60Hz, 1920x1080/50Hz, 1600x1200/60Hz, 1280x1024/60Hz, 1280x720/60Hz, 1024x768/60Hz
RCA Audio Output	1-ch
Liveview Display	NVR501-04B-LP4:1/4 NVR501-08B-LP8:1/4/6/8/9
Corridor Mode Screen	NVR501-04B-LP4:3/4 NVR501-08B-LP8:3/4/5/7/9
<b>Two-way Audio</b>	<b>Description</b>
Two-way Audio	1-ch, RCA(Using the audio input and output)
<b>Snapshot</b>	<b>Description</b>
FTP/Schedule/Event Snapshot	4-ch snapshot, up to D1 resolution
<b>Recording</b>	<b>Description</b>
Recording Resolution	16MP/12MP/8MP/6MP/5MP/4MP/3MP/1080P/960P/720P/D1/2CIF/CIF
Synchronous Playback in Local	NVR501-04B-LP4:4-ch NVR501-08B-LP8:8-ch
<b>Smart</b>	<b>Description</b>
VCA Detection by IPC	Face Detection;SIP(Intrusion Detection, Cross Line Detection, Enter Area, Leave Area);Ultra Motion Detection(UMD);People Counting(People Flow Counting, Crowd Density Monitoring)
VCA Search	Motor Vehicle Search;Non-Motor Vehicle Search;Human Body Search;General Search;People Counting Report;Heat Map

Smart by IPC	NVR501-04B-LP4:Total 4-ch(Face Detection, SIP, UMD) NVR501-08B-LP8:Total 8-ch(Face Detection, SIP, UMD)
Alarm	Description
General Alarm	Defocus Detection;Scene Change Detection;Object Left Behind;Object Removed;Auto Tracking;Motion Detection;Tampering;Human Body Detection;Video Loss;Alarm Input;Audio Detection
Alert Alarm	IP Conflict;Network Disconnected;Disk Offline;Disk Abnormal;Illegal Access;Hard Disk Space Low;Hard Disk Full;Recording/Snapshot Abnormal
GUI Language	Description
GUI Language	38 languages: Simplified Chinese, Traditional Chinese, English, Vietnamese, Thai, Turkish, Spanish (Latin America), Portuguese (Brazil), Spanish, Portuguese, French, German, Italian, Dutch, Polish, Czech, Hungarian, Slovak, Russian, Hebrew, Arabic, Ukrainian, Estonian, Bulgarian, Greek, Romanian, Danish, Swedish, Norwegian, Finnish, Croatian, Slovenia, Serbia, Korean, Japanese, Latvian, Lithuanian, Persian
Hard Disk	Description
SATA	1 SATA Interface
Capacity	Up to 16TB for each HDD(The maximum HDD capacity varies with environment temperature and hard disk size)
External Interface	Description
Network Interface	1 RJ45 10M/100M self-adaptive Ethernet Interface
USB	Rear panel: 1 x USB2.0, 1 x USB3.0
RS485	N/A
RS232	N/A
Alarm In	N/A
Alarm Out	N/A
Power Supply	NVR501-04B-LP4:DC 48V/1.35A NVR501-08B-LP8:DC 52V/1.8A
PoE	Description
Interface	NVR501-04B-LP4:4 RJ45 10M/100M self-adaptive Ethernet Interface NVR501-08B-LP8:8 RJ45 10M/100M self-adaptive Ethernet Interface
Max Power	NVR501-04B-LP4:Max 30W for single port, Max 50W in total NVR501-08B-LP8:Max 30W for single port, Max 75W in total
Supported Standard	IEEE 802.3at, IEEE 802.3af
Working Environment	Description
Working Temperature	-10 ° C ~ 55 ° C (14 ° F ~ 131 ° F)
Working Humidity	≤ 90% RH (non-condensing)
Power Consumption (without HD D)	≤ 10W
Dimensions	Description
Weight (without HDD)	NVR501-04B-LP4: ≤ 0.8Kg (1.76lb) NVR501-08B-LP8: ≤ 0.9Kg (1.98lb)
Dimensions	205mm × 212mm × 46mm (8.1"×8.3"×1.8")
Certification	Description
Certification	CE;FCC;UL;RoHS;WEEE

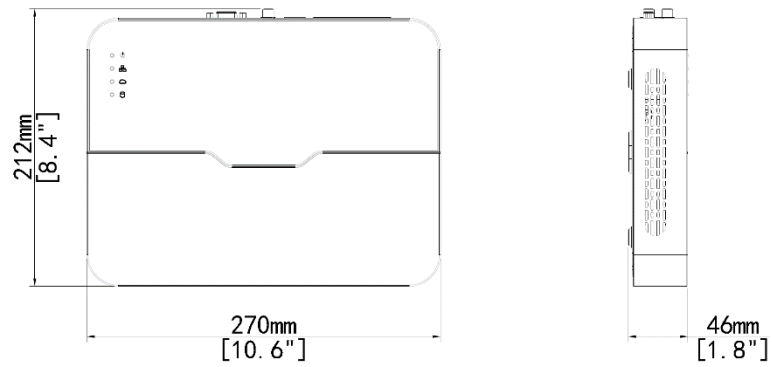
CE	EN 55032, EN 61000-3-3, EN IEC 61000-3-2, EN 55035
FCC	Part15 Subpart B

## Dimensions

[NVR501-04B-LP4]

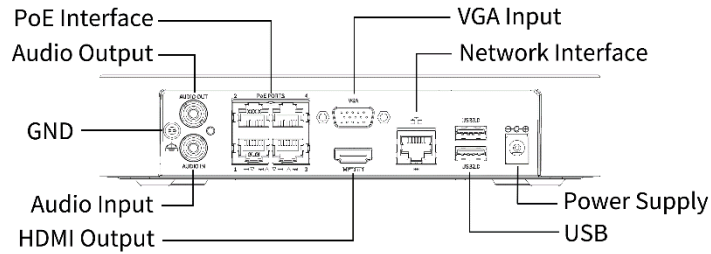


[NVR501-08B-LP8]

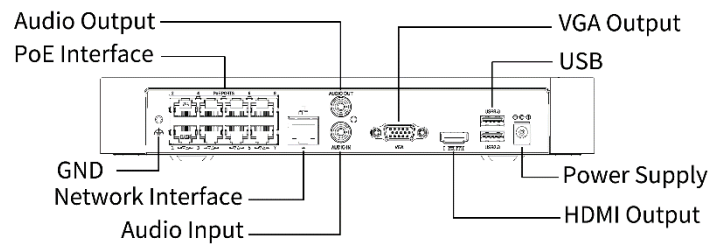


## Rear Panel

[NVR501-04B-LP4]



[NVR501-08B-LP8]



**Zhejiang Uniview Technologies Co., Ltd.**

No. 369, Xietong Road, Xixing Sub-district, Binjiang District, Hangzhou City, 310051, Zhejiang Province, China

Email: [overseasbusiness@uniview.com](mailto:overseasbusiness@uniview.com); [globalsupport@uniview.com](mailto:globalsupport@uniview.com)

<http://www.uniview.com>

©2023-2024 Zhejiang Uniview Technologies Co., Ltd. All rights reserved.

\*Product specifications and availability are subject to change without notice.

\*Despite our best efforts, technical or typographical errors may exist in this document. Uniview cannot be held responsible for any such errors and reserves the right to change the contents of this document without prior notice.